

PowerBox - GreaseFighter Canopy Solutions

Volume flow up to 2.2m³/s

Static Pressures up to 645 Pa

Operating temperatures up to 80°C



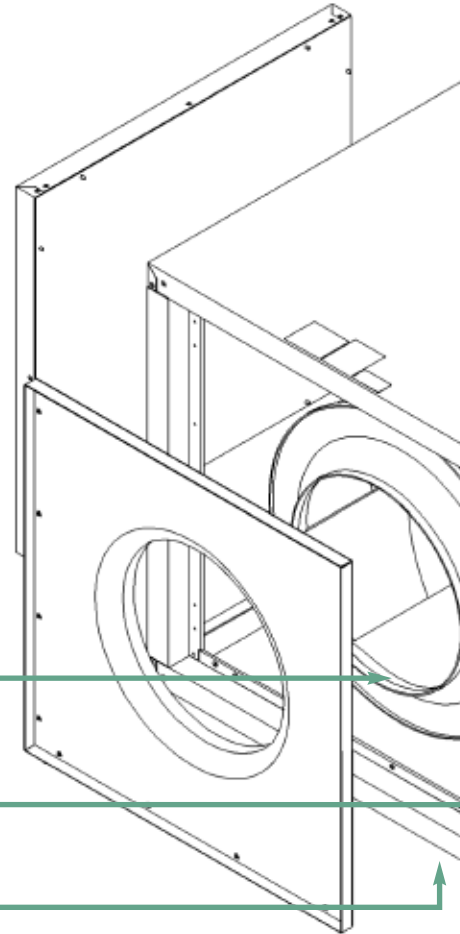
FläktWoods

Knock-out ventilation with the NEW

PowerBox - GreaseFighter

- Volume flow up to 2.2m³/s
- Static Pressures up to 645 Pa
- Maximum operating temperature up to 80°C
- Single phase speed controllable
- Suitable for use with carbon filters

The NEW Generation of PowerBox features externally located motor enabling *HIGH PERFORMANCE* canopy extraction at *HIGH TEMPERATURES*



High efficiency backward curved centrifugal impeller

Outlet position flexibility

Integral grease pan feature

Double skinned housing manufactured from pre-galvanised mild sheet steel

40mm non-flammable thermal and acoustic mineral wool insulation

Product Code	Speed (rev/min)	Product Number	Max Operating Temp	230V/50Hz/1 ϕ			Speed Controller		Inlet dB
				Motor Rating (kW)	Full Load Current (at 230V) (A)	Max Starting Current (at 230V) (A)	Transformer	Part Number	
Powerbox-GF400	1380	AX404104	70°C	0.57	3.2	12.8	MT1.5	DA423099	5
Powerbox-GF450	1360	AX454104	80°C	0.87	5.0	20.0	MT1.5	DA423099	5
Powerbox-GF500	1350	AX504104	75°C	1.28	7.0	28.0	MT1.8	DA402009	6

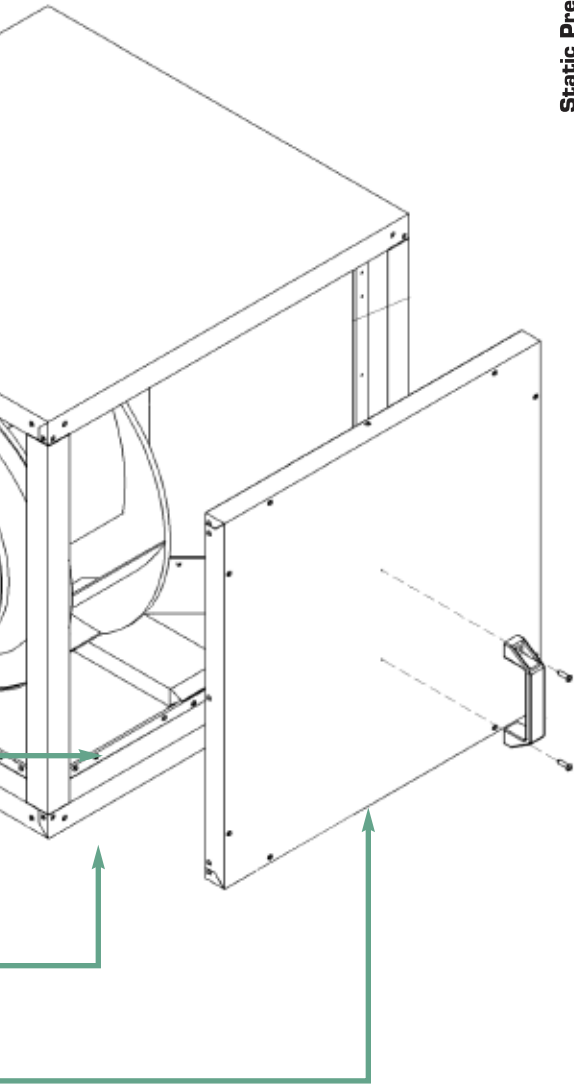
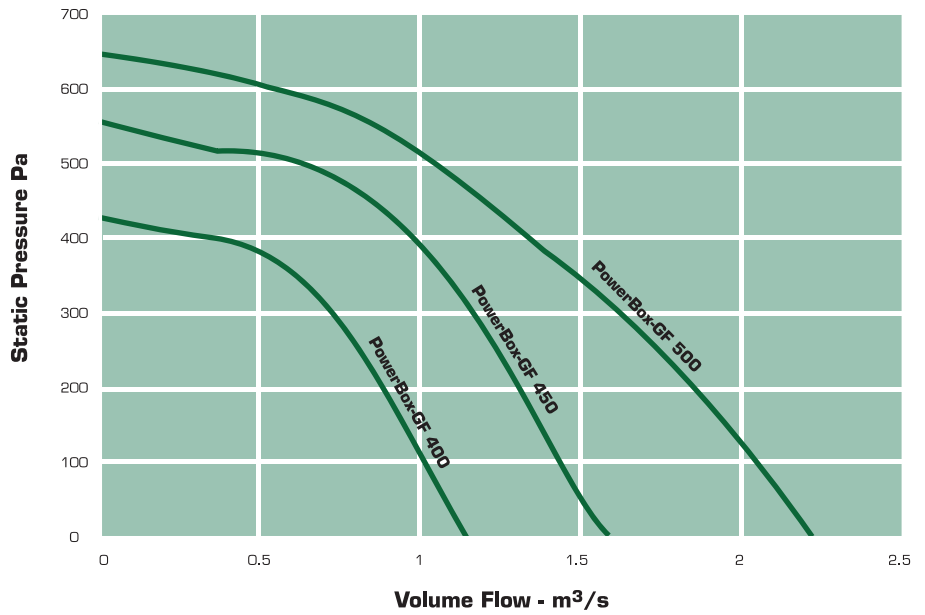
Fläkt Woods PowerBox - Greasefighter with the exception of recommended cleaning intervals are maintenance free.

*Note 1: Sound Levels stated are average over a sphere at 3m in free field conditions.

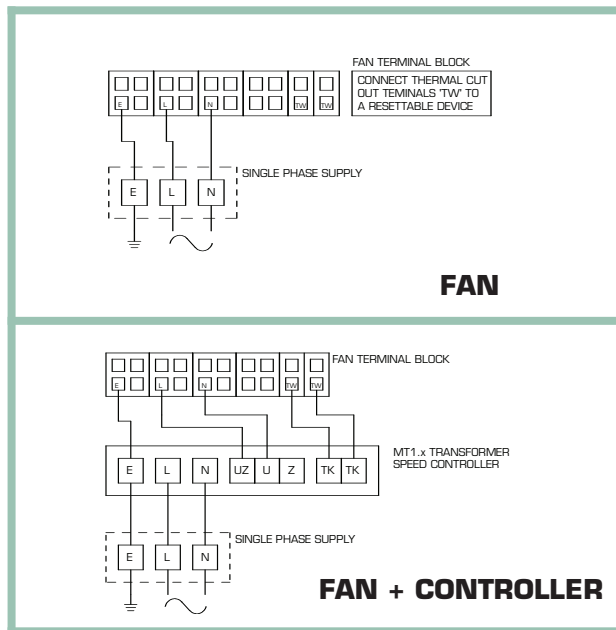
Note 2: Motor cover can be provided at an extra cost. Outlet panel to be removed by user.

Note 3: Standard discharge position options are either left-hand or right-hand side at 90° to inlet.

Performance Data



Wiring Diagrams



Transformer speed controllers feature two integral thermal cut-out terminals to provide overheat protection when wired to the fan meeting the latest IEC regulations.

Sound Levels LpA @ 3m *see note 1		m³/s @ Pa (Static)							Dimensions (mm)			Weight (Kg)	Optional Circular Spigot Connections available		
		0	100	200	300	400	500	600	Length (L)	Width (W)	Height (H)		400mm diameter	450mm diameter	500mm diameter
2	55	1.14	1.02	0.72	0.31				700	700	700	58.5	✓	✓	✓
5	58	1.58	1.44	1.31	1.17	0.97	0.61		700	700	700	59.5	✓	✓	✓
0	62	2.22	2.04	1.85	1.63	1.32	1.06	0.51	700	700	700	71.2	✓	✓	✓

Other Canopy Solutions



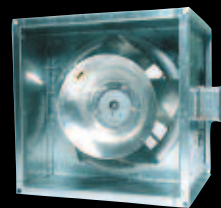
JM Aerofoil



MaXfan



JM Bifurcated



Axcent 3



PowerBox



Roof Units

www.flaktwoods.com/express
For more information

Fläkt Woods operates a policy of continuous development and improvement. Accordingly, the Company reserves the right to supply products that may differ from those illustrated and described in this publication. Certified dimensions can be supplied on request on receipt of order.



PEGF01/0209

Fläkt Woods Limited

Axial Way, Colchester, Essex CO4 5ZD
Tel 01206 222 555 Fax 01206 222 777
email fans.uk@flaktwoods.com www.flaktwoods.co.uk

See global website for international sales offices www.flaktwoods.com

FläktWoods