

Insert CPE for Fläkt Woods designer hoods



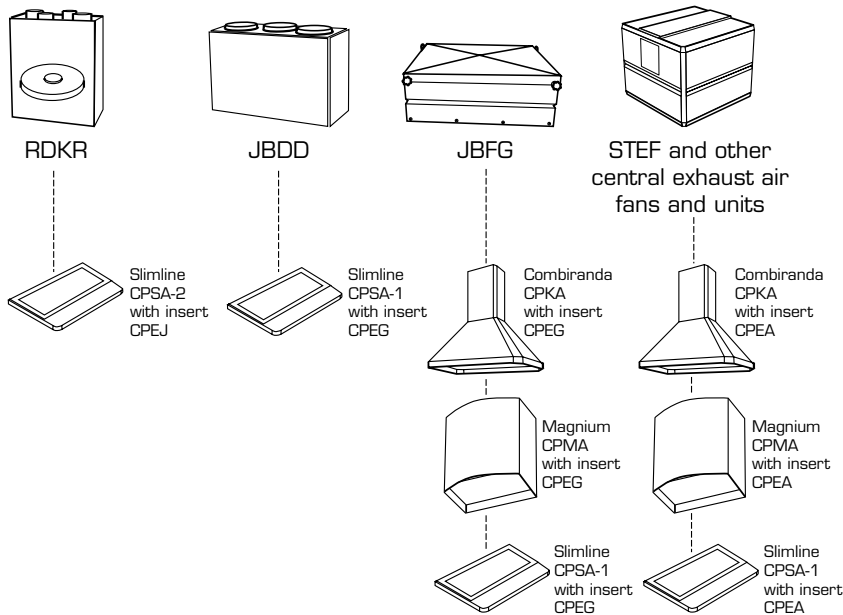
Insert CPE insert is mounted in the Fläkt Woods designer cooker hoods, Combiranda CPKA, Magnum CPMA and Slimline CPSA.

The insert is available in a number of models, for example for multiple-unit dwellings with central exhaust air fan, for our heat recovery units and exhaust air fans and for replacing older cooker hoods.

Product data

- Insert for Fläkt Woods designer cooker hoods
- Cooker lighting with spotlights
- Effective grease filter

The CPE insert can be used with the following units/ exhaust air fans



Product code example

CPEA-8-03-6-3-3

Description, materials, control

Description

CPE is available with knobs or touch panel and the lighting consists of two 12V/20W halogen spotlights. No controls are visible on the cooker hood which gives a clean impression.

The insert is equipped with a forcing throttling device, some inserts also have a basic flow and both flows are adjustable.

When cleaning the kitchen flue the throttling device can be removed without tools.

Materials and coatings

The insert CPE is painted in aluminium colour. The filter is manufactured in woven aluminium surrounded by rib mesh and an aluminium frame.

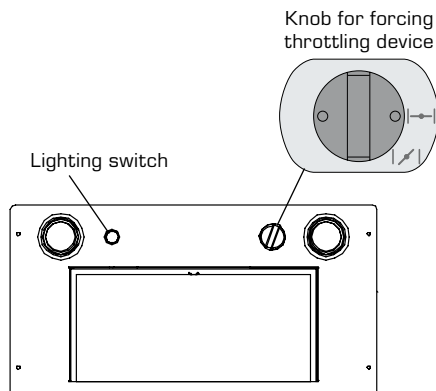
The knobs are made in grey ABS plastic for inserts with knobs.

Control with knobs

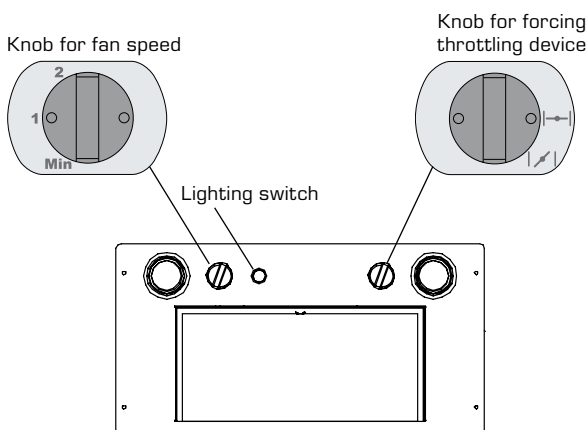
The throttling device is opened through a knob beneath the cooker hood and has a timer-controlled return (60 minutes maximum).

The cooker hoods that control a heat recovery unit or an exhaust air fan has a knob for fan speed.

The lighting has a separate switch.



Controls for cooker hood insert CPEA.



Controls for cooker hood insert CPEG.

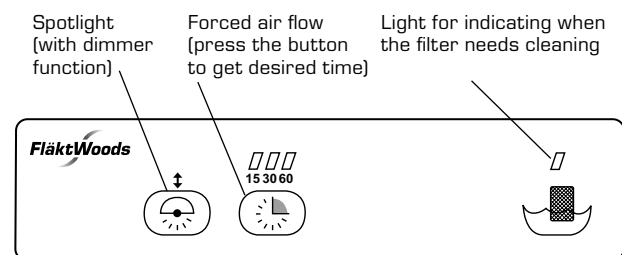
Control with touch panel

The touch panel is positioned on the front of the cooker hood.

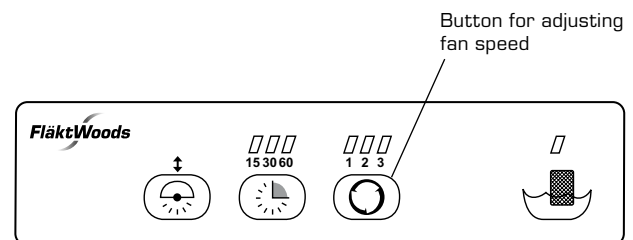
The forcing throttling device is opened through a button on the touch panel and has timer-controlled return (15, 30 or 60 minutes, a lamp indicate which position is selected).

The touch panel for CPEG, that also control a heat recovery unit or an exhaust air fan, has a button for fan speed (three speeds).

The lighting has dimmer function and adjusts through a button on the touch panel.



Touch panel for cooker hood inserts CPEA and CPEJ.



Touch panel for cooker hood insert CPEG.

Packaging

The cooker hood insert is supplied in a cardboard box with all instructional documentation enclosed.

Models

CPEA

Intended for multiple-unit dwellings with central extraction or heat recovery unit. Suitable for both new production and replacement of older cooker hoods.

CPEG

With transformer, fits for example the new JBDD and JBFG (fits JBDD-aa-1-2 but can also serve as replacement hood for controlling older exhaust air fans and units, for example JBDB, JBDC and RDAA).

CPEJ

For heat recovery unit RDKR and the Slimline CPSA-2 designer hood.

Air flow, pressure drop, sound data, dimensions

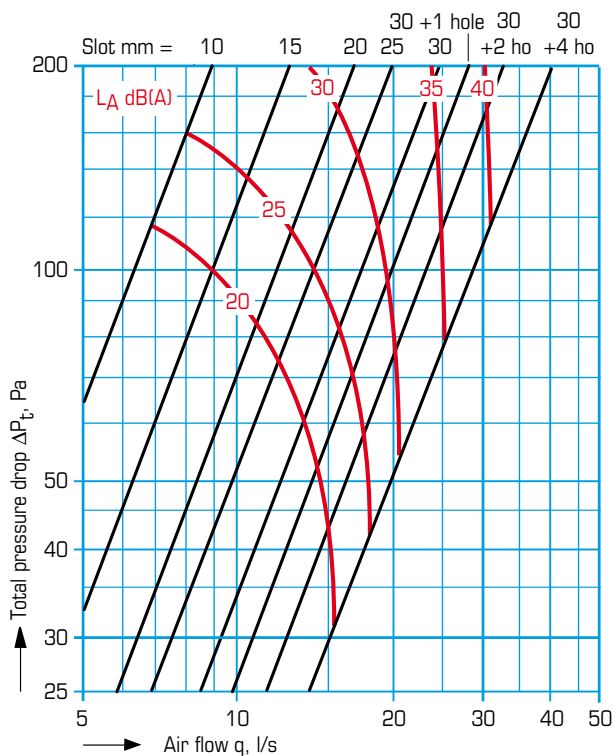
Note!

Insert CPE is not a complete cooker hood. It needs to be combined with one of our designer hoods, Combiranda CPKA, Magnium CPMA or Slimline CPSA. See separate documentation concerning designer hoods for more information.

Dimensions

All dimensions in mm (the dimensions of insert CPE do not alter the dimensions of the cooker hood).

Air flow, pressure drop, sound data



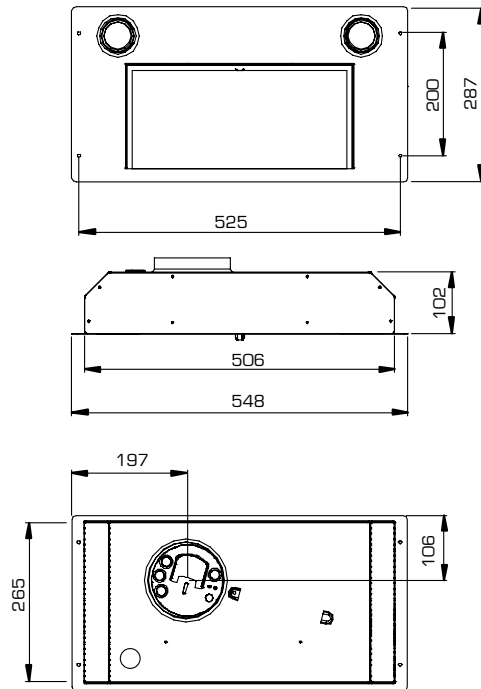
Basic ventilation. The throttling device is set to sprint mode 7 and 15 mm slot at delivery.

In the diagram the following applies:

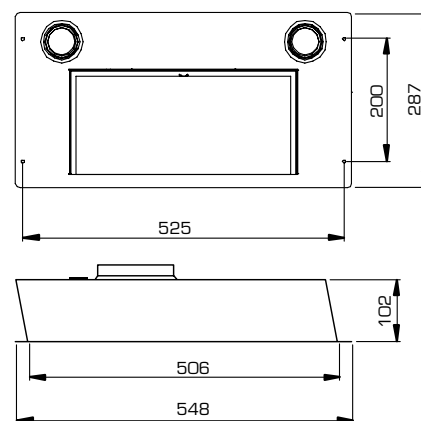
Pressure drop: Applies to air with a density of 1.2 kg/m^3 . Self generated noise for hoods with throttling devices when installed according to the figure below.

The indicated sound level L_A applies at a room damping of 4 dB, which corresponds to a damping of the reverberant field in a room with a sound absorption area equivalent to 10 m^2 . Sound value tolerance $\pm 2 \text{ dB(A)}$.

CPEA, CPEG



CPEJ



Product code

Product code

Insert for Fläkt Woods designer CPEa-b-cc-d-e-f
cooker hoods

Models (a) _____

A
G (See page 62 for information
J about the different models)

Lighting (b) _____

8 = Spotlights and knobs (not CPEJ)
9 = Spotlights and touch panel

Control (cc) _____

03 = Forced ventilation with timer-controlled return
(only if b = 8)
04 = Motor-driven damper (only if b = 9)
05 = Motor-driven damper and ornamental lighting
(only if b = 9 and with Magnium CPMA)

Width (d) _____

6 = 600 mm

Connection (e) _____

1 = Left side (only CPEJ and with RDKR-1)
2 = Right side (only CPEJ and with RDKR-2)
3 = Standard (only CPEA and CPEG)

Execution (f) _____

3 = Painted in aluminium colour