

Magnium CPMA - Designer hood



Magnium CPMA is one of Fläkt Woods designer cooker hoods supplied in stainless steel and can be supplied with decoration lighting which gives a decorative pattern on the arched front of the hood.

Magnium is wall mounted and can be, depending on which insert is chosen, used for multi-unit dwellings with a central exhaust air fan or single-family houses with JBFG or other exhaust air fans controlled with transformer. CPMA can not be combined with JBDD or other fans positioned above the cooker.

A insert CPE must also be ordered when ordering a designer cooker hood. For technical specifications see documentation for Insert CPE.

Product data

- Modern design
- Wall mounted
- Can be supplied with decorative lighting

Product code

Designer hood **CPMA-1**

Execution _____

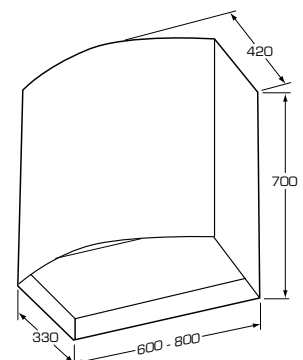
1 = stainless steel

(always add a insert CPE to the order)

Product code example

CPMA-1 + CPEA-8-03-6-3-3

Dimensions (mm)



Combiranda can be used with the following units/ exhaust air fans

