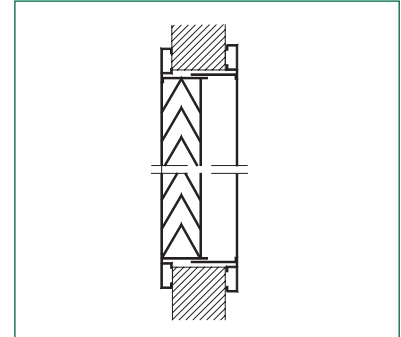
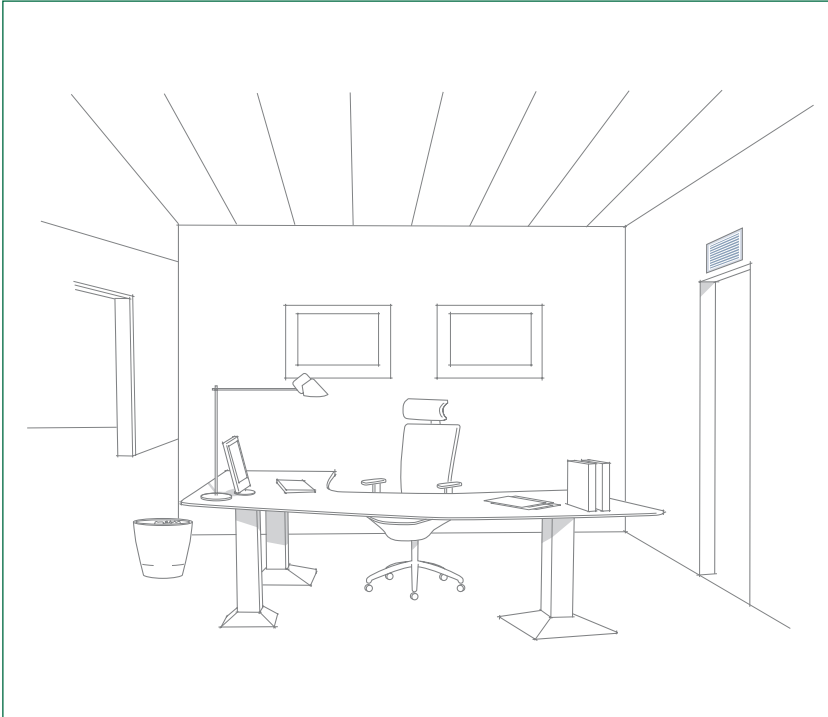


## OSK Transfer air grille



OSK is a transfer air grille suitable for use as a transfer air unit for air flow openings between rooms.

### Quick-selection

Air flow up to 180 l/s (648 m<sup>3</sup>/h).

### Product facts

#### **OSK Transfer air grille**

Aluminium profile stove enamelled in white.

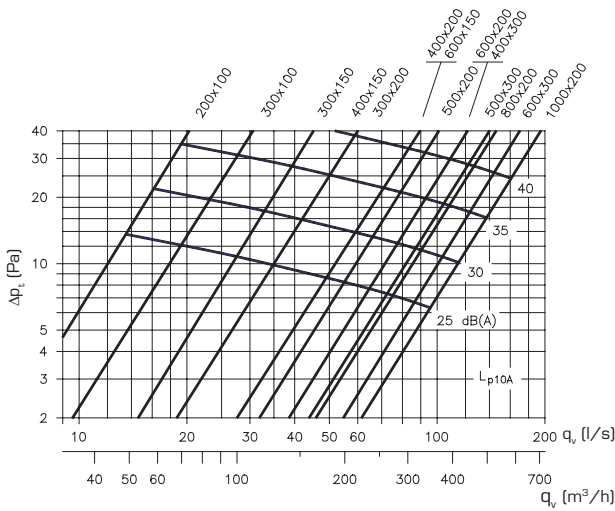
Suitable for wall/door thicknesses of 30-50 mm

#### **Product code example:**

Transfer air grille OSK-400x200

# Construction, installation, dimensions, product code

## Selection diagram



## Definitions

$q_v$	Air flow	(l/s), ( $m^3/h$ )
$\Delta p_t$	Total pressure drop	(Pa)
$L_{p10A}$	Sound pressure level with 4 dB room attenuation (10 $m^2$ sab room)	[dB(A)]

## Construction

- OSK: grille + opposite frame
- OS: grille without frame

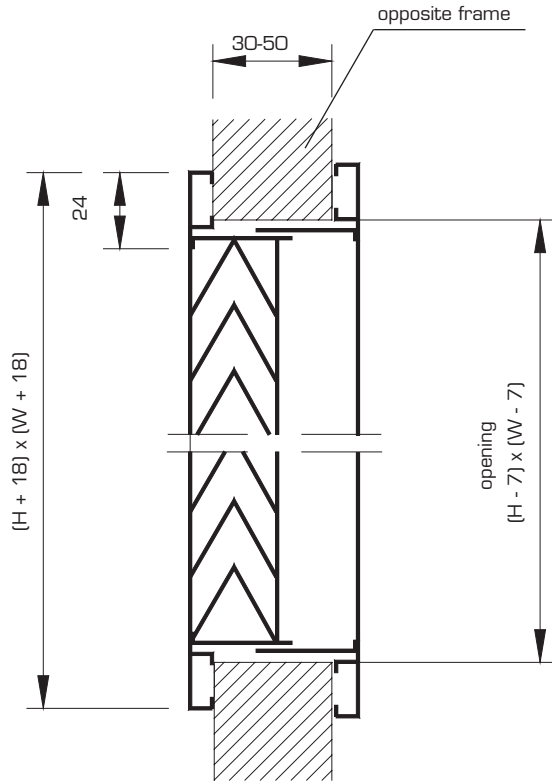
## Material and surface finish

The grille and opposite frame are made of aluminium profile and stove enamelled in white. To special order the grille is also available in other colours.

## Installation

The grille and frame are installed into the door or wall with countersunk screws  $\varnothing$  3.5.

## Dimensions



## Descriptive text

Transfer air grille OSK manufactured by Fläkt Woods.

## Product code

Transfer air grille

OSK - aaa- bbb

Size (width x height)

- 200x100, 300x100, 300x150, 400x150,
- 300x200, 400x200, 600x150, 600x200,
- 400x300, 500x300, 800x200, 600x300,
- 1000x200