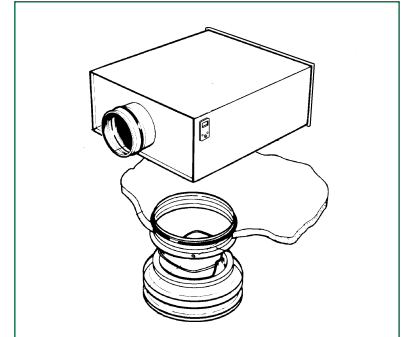
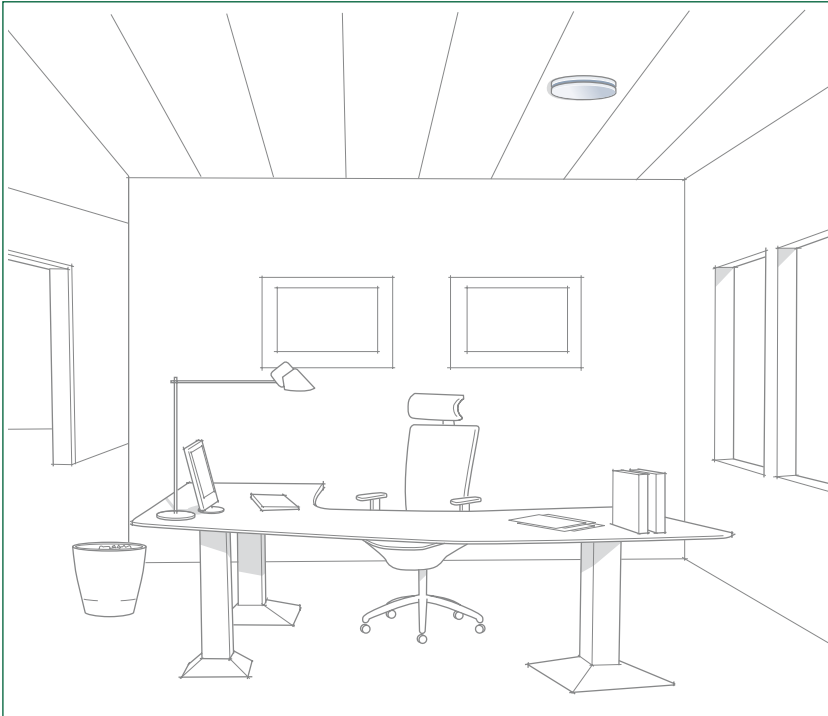


Ceiling diffuser CTPB



CTPB is a quiet 1-way air diffuser, which is normally positioned in a ceiling, although it can also be positioned on a wall. The air gap is variable, and the desired air diffusion direction can be set by rotating the diffuser. The diffuser is easily installed on the mounting ring with mounting brackets and is easy to keep clean thanks to its large, smooth surfaces. CTPB is available in two sizes, with connections 125 and 160.

Quick selection at 50 Pa

| Air diffuser Size | Connection, mm Diffuser with box | Air flow l/s (m ³ /h) at sound level | | |
|-------------------|-------------------------------------|---|----------|-------|
| | | 25 dB | 30 dB | 35 dB |
| CTPB-125 | 100-125 | 33 | 38 (119) | - |
| CTPB-160 | 125-160 | 48 | 56 (202) | - |

- = outside working area

Product facts

Ceiling diffuser CTPB

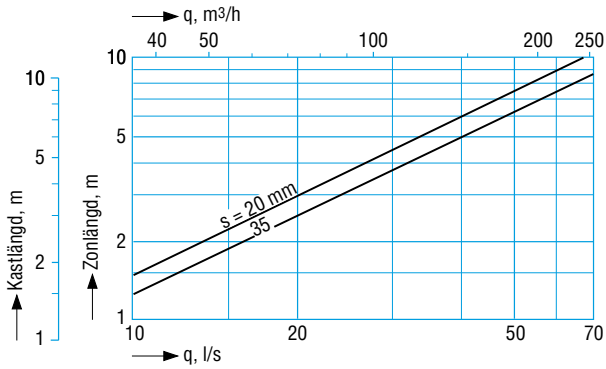
High sound attenuation
Easy to install

Product code example:

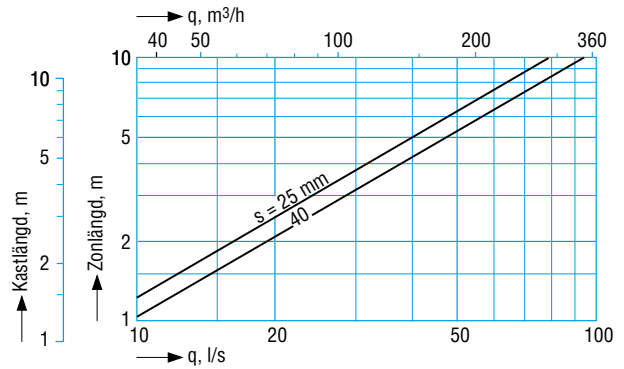
Ceiling diffuser CTPB-125
Connection box ATTB-100-125-0
Mounting ring KGEZ-01

Air flow, zone length, throw, pressure drop, sound level

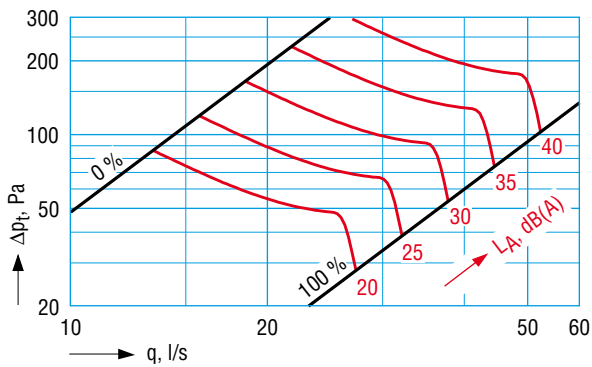
Size 125



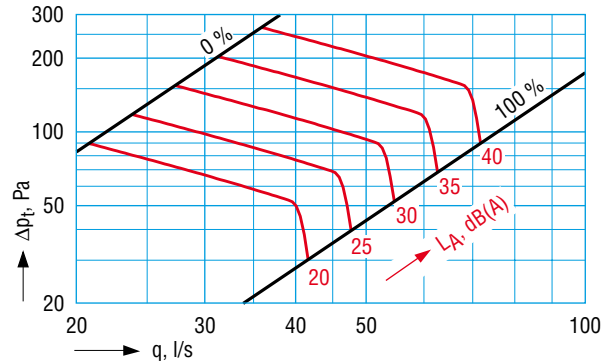
Size 160



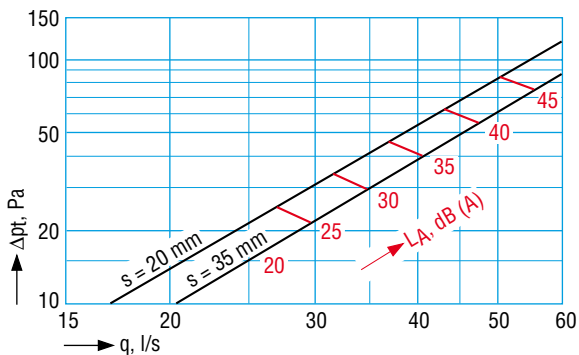
Size 125 with connection box
ATTB-100-125-O



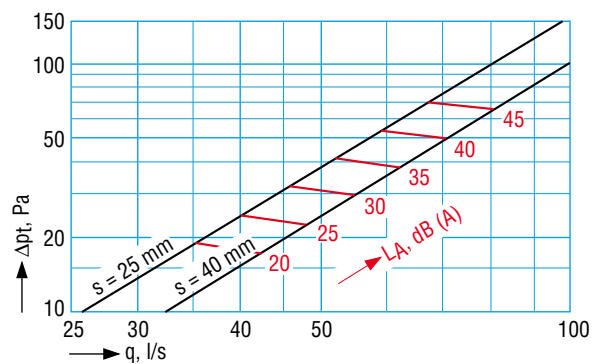
Size 160 with connection box
ATTB-125-160-O



Size 125 without connection box



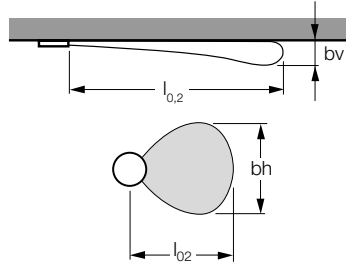
Size 160 without connection box



Diffusion pattern, acoustical data, dimensions etc

Air stream diffusion

| | |
|-----------------------|-------|
| | 1-way |
| $bv = l_{0,2} \times$ | 0,1 |
| $bh = l_{0,2} \times$ | 1,5 |



Sound power level

Subdivision into frequency-divided sound power L_w is done on the basis of the L_{A10} values in the graphs and the correction K_{ok} below.

$$L_w = L_{A10} + K_{ok}$$

Ceiling diffuser without connection box

| Size | Correction of sound level, K_{ok} in dB at | | | | | | | |
|------|--|-----|-----|-----|------|------|------|---------|
| | 63 | 125 | 250 | 500 | 1000 | 2000 | 4000 | 8000 Hz |
| 125 | 10 | 4 | 4 | 3 | -2 | -8 | -14 | -14 |
| 160 | 10 | 8 | 3 | 2 | -2 | -6 | -14 | -14 |

Ceiling diffuser with connection box

| Size | Correction of sound level, K_{ok} in dB at | | | | | | | |
|-------------|--|-----|-----|-----|------|------|------|---------|
| | 63 | 125 | 250 | 500 | 1000 | 2000 | 4000 | 8000 Hz |
| 125/100-125 | 9 | 8 | 6 | 1 | -2 | -7 | -8 | -8 |
| 160/125-160 | 10 | 9 | 5 | 2 | -4 | -7 | -8 | -7 |

Sound attenuation

Ceiling diffuser without connection box

| Size | Sound attenuation in dB at | | | | | | | |
|------|----------------------------|-----|-----|-----|------|------|------|---------|
| | 63 | 125 | 250 | 500 | 1000 | 2000 | 4000 | 8000 Hz |
| 125 | 20 | 16 | 12 | 10 | 7 | 6 | 8 | 8 |
| 160 | 19 | 14 | 11 | 16 | 12 | 8 | 10 | 8 |

Ceiling diffuser with connection box

| Size | Sound attenuation in dB at | | | | | | | |
|-------------|----------------------------|-----|-----|-----|------|------|------|---------|
| | 63 | 125 | 250 | 500 | 1000 | 2000 | 4000 | 8000 Hz |
| 125/100-125 | 21 | 16 | 12 | 16 | 16 | 11 | 9 | 8 |
| 160/125-160 | 19 | 14 | 11 | 16 | 12 | 8 | 10 | 8 |

Instructions

Directions for installation, adjustment and care are set out in detail in our technical instruction which accompanies each product. The instruction is also accessible on www.flaktwoods.com.

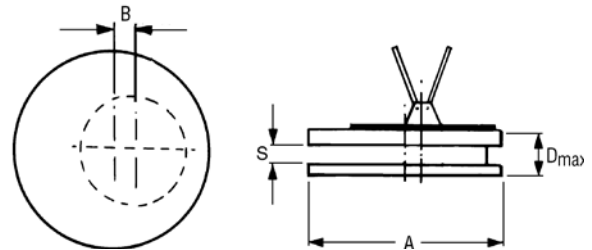
Packaging

The air diffuser is supplied as standard in a carton containing:

| Size | Quantity | Weight, kg | Volume, m ³ |
|----------|----------|------------|------------------------|
| CTPB-125 | 20 | 12 | 0,10 |
| CTPB-160 | 20 | 24 | 0,12 |

Dimensions and weights

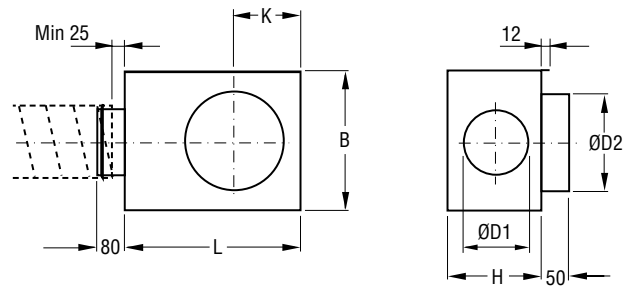
Ceiling diffuser CTPB



| Size | A | B | S_{min} | S_{max} | D_{max} | Weight, kg |
|------|-----|------|-----------|-----------|-----------|------------|
| 125 | 200 | 17,5 | 20 | 35 | 54 | 0,55 |
| 160 | 250 | 25,0 | 25 | 40 | 59 | 0,80 |

B = eccentricity

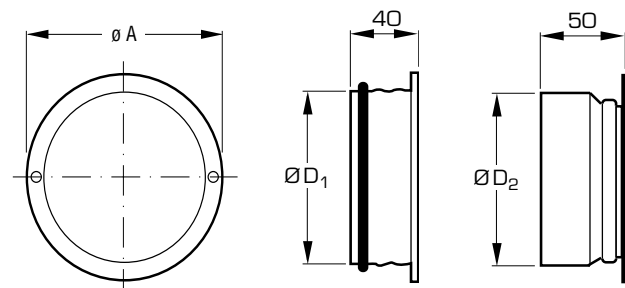
Connection box ATTB-aaa-bbb-0-0



| Size | ØD1 | ØD2 | H | L | B | K | W |
|---------|-------|-----|-----|-----|-----|-----|-----|
| 100-125 | 99,3 | 125 | 170 | 320 | 320 | 123 | 2,9 |
| 125-160 | 124,3 | 160 | 170 | 470 | 320 | 140 | 4,0 |

W = Weight, kg Hole dimensions = $D_2 + 10 \pm 5$ mm

KGEZ-01, KGEZ-05 mounting rings



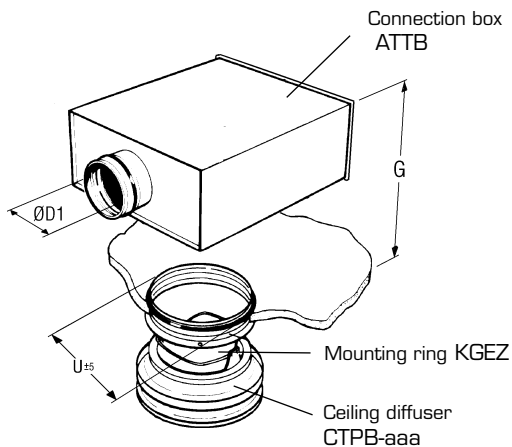
| Size | A | D1 | D2 | Weight, kg | Holes ¹⁾ |
|------|-----|-------|-----|------------|---------------------|
| 125 | 150 | 124,3 | 125 | 0,10 | ø 135 |
| 160 | 185 | 159,3 | 160 | 0,16 | ø 170 |

¹⁾ Tolerance ± 5 mm

Installation, application, material, product code etc

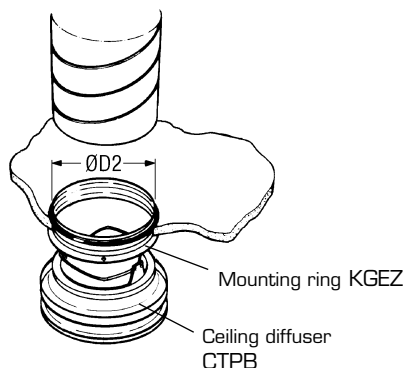
Installation

Air diffuser connected via connection box



| Size | ØD1 | ØD2 | U | G _{min} | G _{max} | ØU |
|------|-------|-----|-----|------------------|------------------|-----|
| 125 | 99,3 | 125 | 135 | 220 | 240 | 135 |
| 160 | 124,3 | 160 | 170 | 220 | 240 | 170 |

Air diffuser connected directly to the duct



Application and function

CTPB is a quiet 1-way air diffuser, which is normally positioned in a ceiling, although it can also be positioned on a wall. The air gap is variable, and the desired diffusion direction can be set by rotating the diffuser. The diffuser is easy to install with clamps to the valve frame and is easy to keep clean thanks to its large, smooth surfaces.

CTPB is available in two sizes, with connections 125 and 160. The diffuser is also shown with connection box ATTB, which has a patented measurement damper with the market's lowest noise generation, which, in combination with CTPB, gives a very low sound level. The connection box, which is approved for cleaning, is supplied as standard in hot-dip galvanized steel sheet. The box measurement damper can be removed from the room, without changing the flow setting, for inspection and cleaning of the measurement damper, box and connected ventilation duct.

Material and surface finish

Air diffuser CTPB is made from hot-dip galvanized steel sheet, SS 1151, and meets the requirements for corrosivity class C2 in accordance with SS-EN ISO 12944-2 (equivalent to environmental class M2 in VVS AMA 98).

The diffusers are powder-coated for a high surface finish and good impact and scratch resistance.

Standard colour White RAL-9010, gloss 30, equivalent to NCS S 0502-Y. Other colours on request.

The connection box, which is approved for cleaning, is supplied as standard in hot-dip galvanized steel sheet.

Technical data and dimensioning

For complete dimensioning details, please see Fläkt Woods product selection program. Contact our nearest sales office for further information.

Descriptive text

Air diffuser CTPB manufactured by Fläkt Woods, for example in size 125, with a connection box with a removable damper and mounting ring.

Product code

Ceiling diffuser CTPB-aaa

Size – connection dimension in mm _____
125, 160

Connection box¹⁾ ATTB-aaa-bbb-c-d

Size _____
100–125, 125–160
Connection dimension in mm to duct (aaa)
Connection dimension in mm to diffuser (bbb)

Type (c) _____
0 = uninsulated
1 = insulated

Tightness class (d) _____
0 = tightnessclass B

Mounting ring - insertion connection KGEZ-01-bbb

Mounting ring - fit-on connection KGEZ-05-bbb

Size
125, 160

¹⁾ For a complete supply, mounting ring KGEZ-01 must be ordered for connection box ATTB.