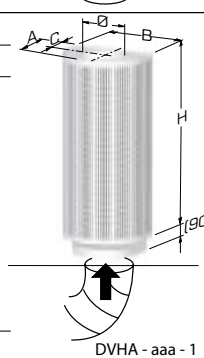
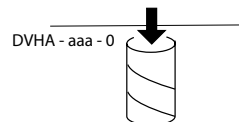
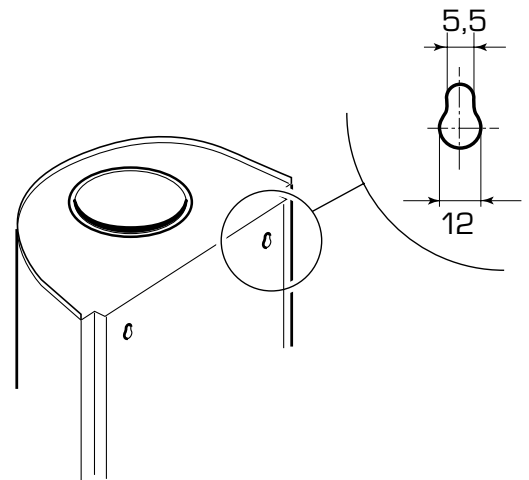
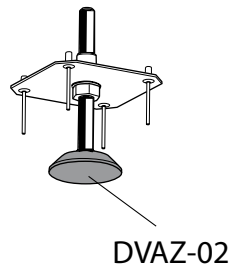
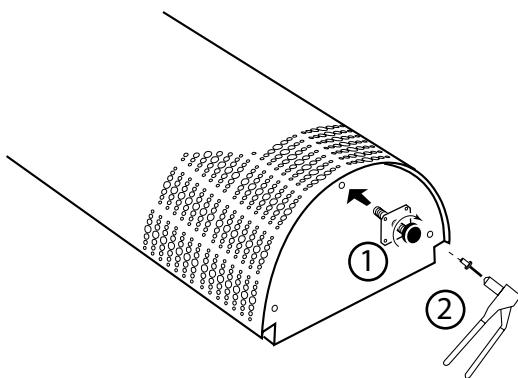


DVHA - aaa - b - c - d - e -

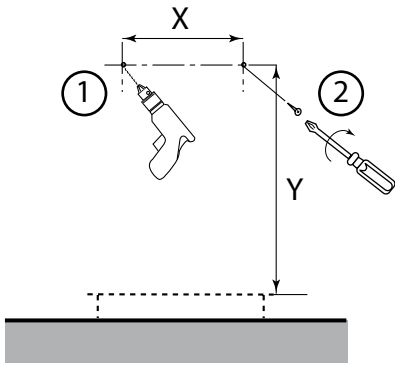
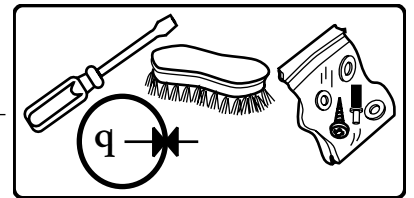
| DVHA | Ø   | H    | A   | B   | C   | W, kg | -b- |
|------|-----|------|-----|-----|-----|-------|-----|
| 100  | 100 | 400  | 175 | 182 | 81  | 2,8   | 0/1 |
| 125  | 125 | 600  | 279 | 355 | 141 | 6,4   | 0/1 |
| 160  | 160 | 600  | 279 | 355 | 141 | 6,4   | 0/1 |
| 200  | 200 | 1000 | 356 | 457 | 176 | 15,3  | 0/1 |
| 250  | 250 | 1000 | 356 | 457 | 176 | 15,3  | 0/1 |
| 315  | 315 | 1500 | 595 | 787 | 308 | 40,2  | 0/1 |
| 400  | 400 | 1500 | 595 | 787 | 308 | 40,2  | 0/1 |
| 500  | 500 | 2000 | 761 | 917 | 374 | 63,8  | 0/1 |



| DVHA | -d- | d = 0 | d = 1 |
|------|-----|-------|-------|
| 100  | 0/1 |       |       |
| 125  | 0/1 |       |       |
| 160  | 0/1 |       |       |
| 200  | 0/1 |       |       |
| 250  | 0/1 |       |       |
| 315  | 1   |       |       |
| 400  | 1   |       |       |
| 500  | 1   |       |       |

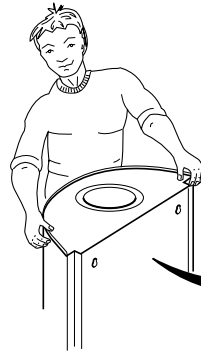
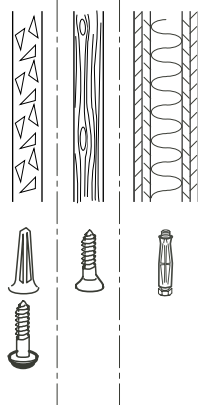


1

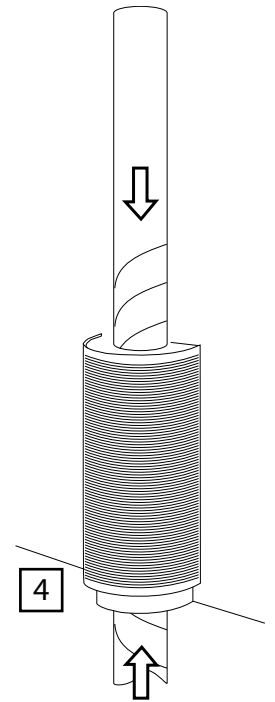


| DVHA | X   | Y    |
|------|-----|------|
| 100  | 117 | 346  |
| 125  | 266 | 546  |
| 160  | 266 | 546  |
| 200  | 380 | 946  |
| 250  | 380 | 946  |
| 315  | 700 | 1446 |
| 400  | 700 | 1446 |
| 500  | 770 | 1946 |

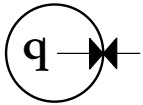
2



3



4



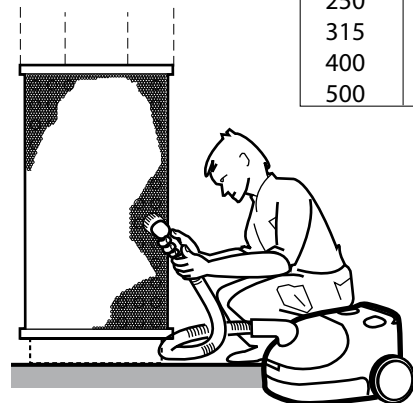
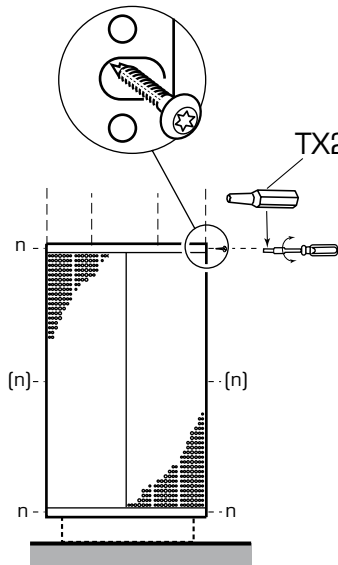
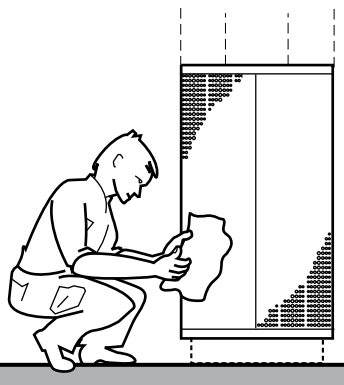
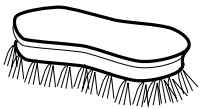
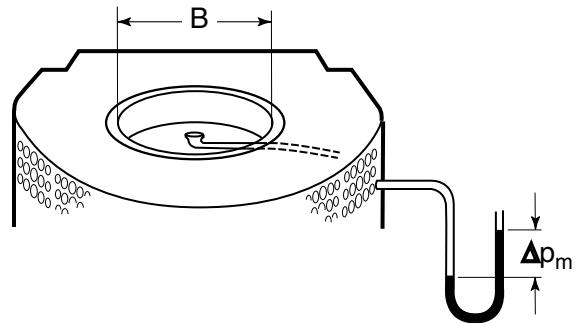
$$q = k \sqrt{\Delta p_m}$$

(l/s) (Pa)

$$q = 3.6k \sqrt{\Delta p_m}$$

(m³/h) (Pa)

| B   | k   |
|-----|-----|
| 100 | 8   |
| 125 | 13  |
| 160 | 21  |
| 200 | 38  |
| 250 | 53  |
| 315 | 89  |
| 400 | 132 |
| 500 | 208 |



| DVHA | n |
|------|---|
| 100  | 4 |
| 125  | 4 |
| 160  | 4 |
| 200  | 4 |
| 250  | 4 |
| 315  | 6 |
| 400  | 6 |
| 500  | 6 |