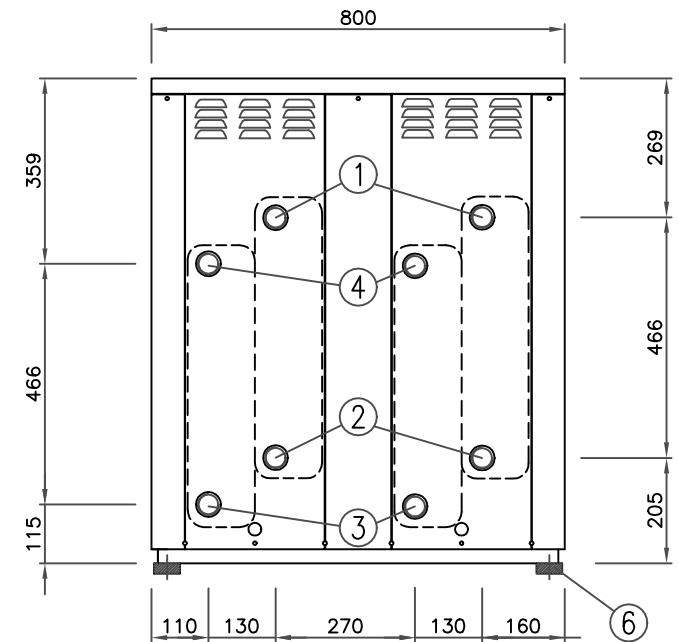
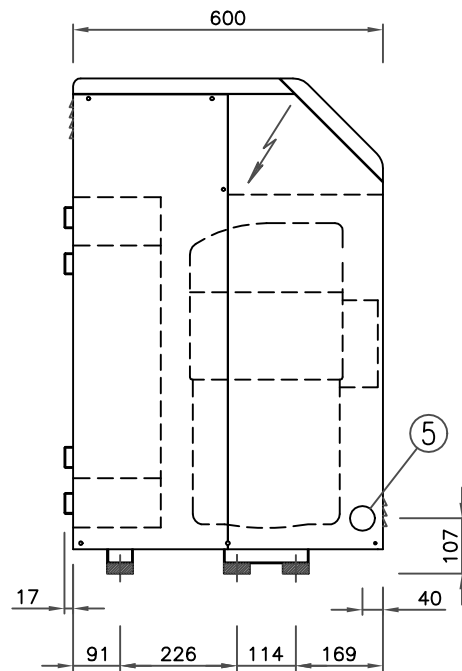
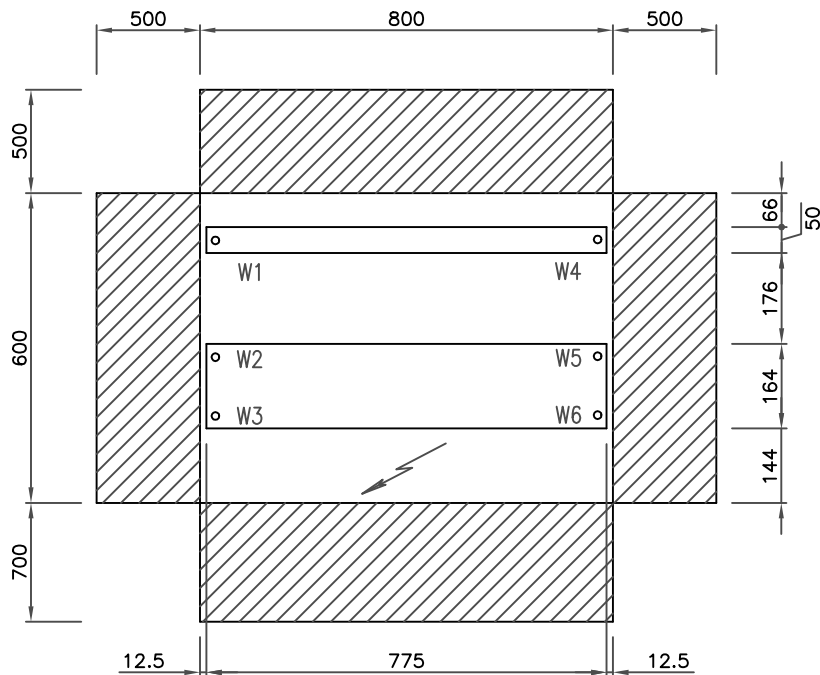


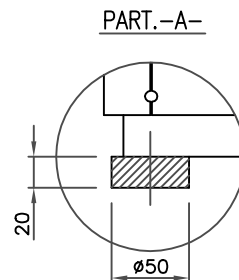
SUPPORTING BASEMENT



DISTRIBUZIONE PESI - WEIGHT DISTRIBUTION (Kg)

| GRANDEZZA SIZE | W1 | W2 | W3 | W4 | W5 | W6 | TOTAL |
|----------------|----|----|----|----|----|----|-------|
| HRH/H 0152 | 29 | 62 | 62 | 35 | 68 | 69 | 325 |
| HRH/H 0182 | 31 | 62 | 62 | 37 | 69 | 69 | 330 |
| HRH/H 0202 | 34 | 63 | 63 | 40 | 70 | 70 | 340 |
| HRH/H 0252 | 36 | 66 | 66 | 43 | 72 | 72 | 355 |

- ① ENTRATA ACQUA EVAPORATORE
EVAPORATOR WATER INLET 2 x Ø1"¼ GAS
- ② USCITA ACQUA EVAPORATORE
EVAPORATOR WATER OUTLET 2 x Ø1"¼ GAS
- ③ ENTRATA ACQUA CONDENSATORE
CONDENSER WATER INLET 2 x Ø1"¼ GAS
- ④ USCITA ACQUA CONDENSATORE
CONDENSER WATER OUTLET 2 x Ø1"¼ GAS
- ⑤ INGRESSO LINEA ELETTRICA
POWER INLET
- ⑥ PIEDINI ANTIVIBRANTI (FORNITI A PARTE)
VIBRATION DAMPERS (SUPPLIED LOOSE)



| | | | |
|--|---|-------------------|--------------|
| 1 | VIBRATION DAMPERS POSITION AND SUPPORTING BASEMENT MODIFIED | | |
| REV. N° | DESCRIPTION | | |
| DESCRIPTION: WATER COOLED LIQUID CHILLERS HRH/H 0152/0252 | | DRAWING N° | REV. N° |
| | | D4412501-0 | 1 |
| DRAWN | DATE 05/11/98 | SUBSTITUTES N° | SCALE 1:10 |
| AUDITEN | DATE 05/11/98 | SUBSTITUTES BY N° | SHEET 1 OF 1 |

