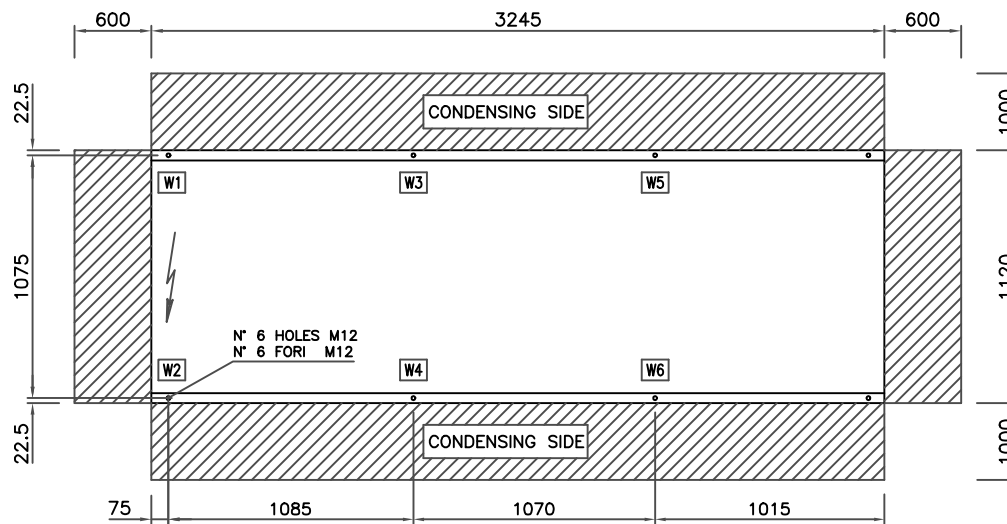


SUPPORTING BASEMENT



- ENTRATA ARIA
 - AIR INLET
 - USCITA ARIA
 - AIR OUTLET

- ① EVAPORATOR WATER OUTLET $\varnothing 2\frac{1}{2}$ GAS
 USCITA ACQUA EVAPORATORE $\varnothing 2\frac{1}{2}$ GAS
- ② EVAPORATOR WATER INLET $\varnothing 2\frac{1}{2}$ GAS
 ENTRATA ACQUA EVAPORATORE $\varnothing 2\frac{1}{2}$ GAS
- ③ POWER INLET (HOLE PRE-CUT)
 INGRESSO LINEA ELETTRICA (FORO PRETRANCIATO)

| DISTRIBUZIONE PESI - WEIGHT DISTRIBUTION (Kg) | | | | | | | |
|---|-----|-----|-----|-----|-----|-----|-------|
| GRANDEZZA SIZE | W1 | W2 | W3 | W4 | W5 | W6 | TOTAL |
| HRAT 0502 | 184 | 184 | 187 | 187 | 189 | 189 | 1120 |

| | | | |
|--|---|-------------------|------------|
| 1 | VIBRATION DAMPERS HOLES MODIFIED FROM $\varnothing 18$ TO M12 | | |
| REV. N° | DESCRIPTION | | |
| DESCRIPTION: AIR COOLED WATER CHILLER HRAT/B 0502 | | DRAWING N° | REV. N° |
| | | D2623500-1 | |
| DRAWN | DATE 21/02/97 | SUBSTITUTES N° | D2623500-0 |
| AUDITEN | DATE 21/02/97 | SUBSTITUTES BY N° | |
| | | SCALE | 1:23 |
| | | SHEET 1 OF 1 | |



BY TERM OF LAW THIS DRAWING CANNOT BE REPRODUCED WITHOUT OUR WRITTEN AUTHORIZATION

