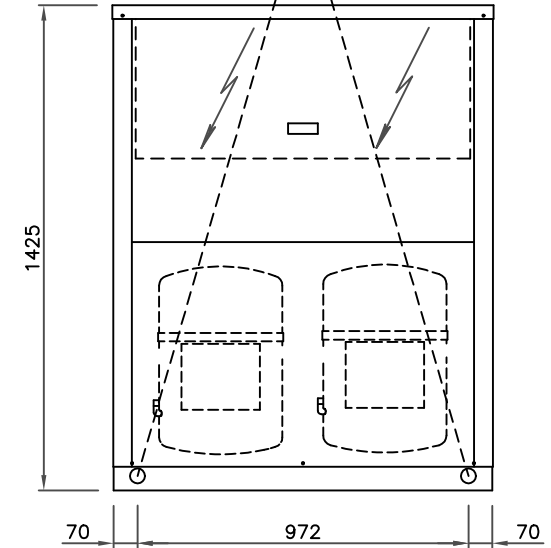
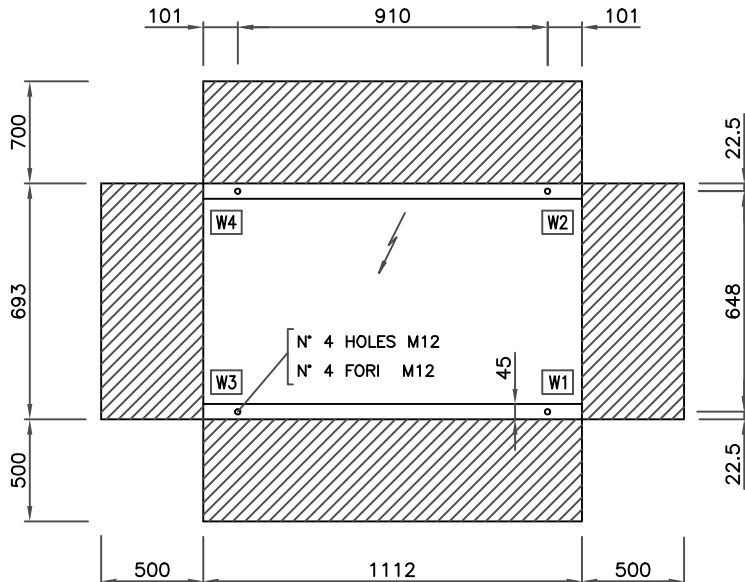


ATTN: UTILIZZARE N°4 FUNI DI SOLLEVAMENTO DI PARI LUNGHEZZA
ATTN: USE N°4 LIFTING ROPES WITH EQUAL LENGHT ONLY

SOLLEVAMENTO LIFTING



SUPPORTING BASEMENT

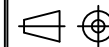


DISTRIBUZIONE PESI - WEIGHT DISTRIBUTION (Kg)					
GRANDEZZA SIZE	W1	W2	W3	W4	TOTAL
HRH/H 0252 (220 V)	126	99	123	97	445
HRH/H 0302	130	105	127	103	465
HRH/H 0402	151	124	149	121	545
HRH/H 0502	159	134	156	131	580

- ① ENTRATA ACQUA EVAPORATORE 2 x Ø2" GAS
EVAPORATOR WATER INLET 2 x Ø2" GAS
- ② USCITA ACQUA EVAPORATORE 2 x Ø2" GAS
EVAPORATOR WATER OUTLET 2 x Ø2" GAS
- ③ ENTRATA ACQUA CONDENSATORE 2 x Ø2" GAS
CONDENSER WATER INLET 2 x Ø2" GAS
- ④ USCITA ACQUA CONDENSATORE 2 x Ø2" GAS
CONDENSER WATER OUTLET 2 x Ø2" GAS
- ⑤ INGRESSO LINEA ELETTRICA
POWER INLET

3	POWER INLET MODIFIED AND HRH/H 0252 ADDED		
REV. N°	DESCRIPTION		
DESCRIPTION: WATER COOLED LIQUID CHILLERS HRH/H 0252/0502		DRAWING N°	REV. N°
		D4423510-2	D4423510-3
DRAWN	DATE 07/10/98	SUBSTITUTES N°	SCALE 1:15
AUDITEN	DATE 07/10/98	SUBSTITUTES BY N°	SHEET 1 OF 1

ALLEGATO N°2-3



BY TERM OF LAW THIS DRAWING CANNOT BE
REPRODUCED WITHOUT OUR WRITTEN AUTHORIZATION

