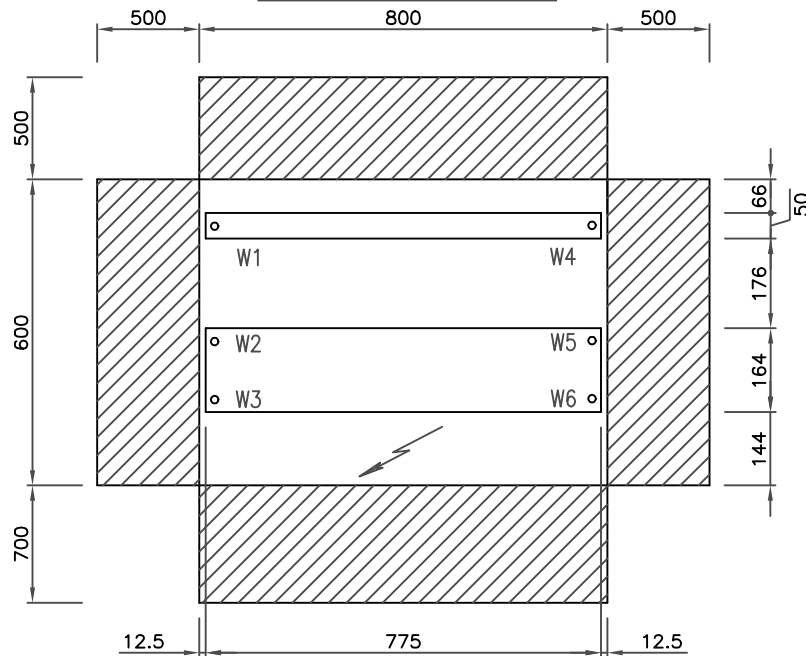
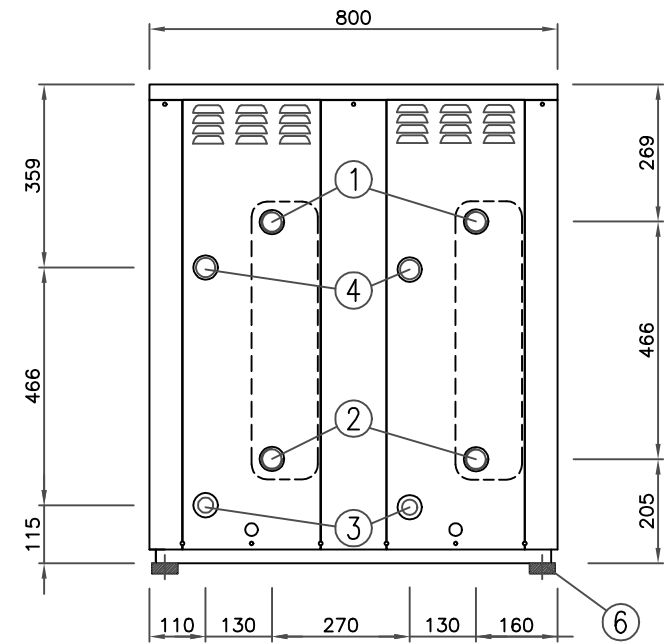
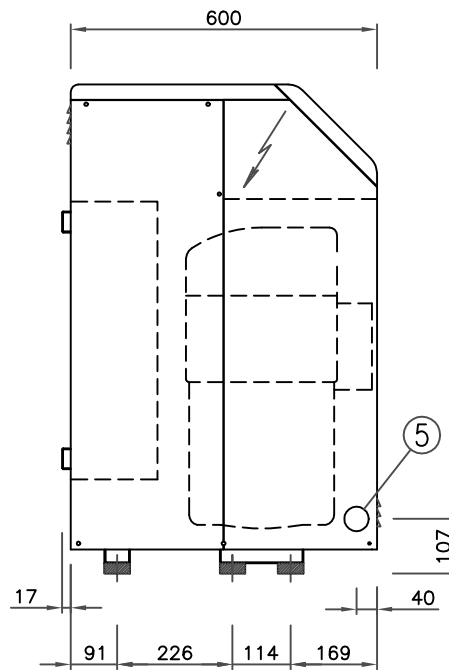


SUPPORTING BASEMENT

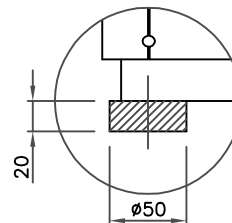


DISTRIBUZIONE PESI - WEIGHT DISTRIBUTION (Kg)

GRANDEZZA SIZE	③	④	W1	W2	W3	W4	W5	W6	TOTAL
HE 0152	Ø12	Ø16	21	61	61	27	67	68	305
HE 0182	Ø16	Ø22	23	61	61	29	68	68	310
HE 0202	Ø16	Ø22	26	62	62	32	69	69	320
HE 0252	Ø16	Ø22	28	65	65	35	71	71	335

- ① ENTRATA ACQUA EVAPORATORE 2 x Ø1"¼ GAS
EVAPORATOR WATER INLET 2 x Ø1"¼ GAS
- ② USCITA ACQUA EVAPORATORE 2 x Ø1"¼ GAS
EVAPORATOR WATER OUTLET 2 x Ø1"¼ GAS
- ③ CONNESSIONE LINEA LIQUIDO (2 x ODS)
LIQUID LINE CONNECTION (2 x ODS)
- ④ CONNESSIONE LINEA MANDATA (2 x ODS)
DISCHARGE LINE CONNECTION (2 x ODS)
- ⑤ INGRESSO LINEA ELETTRICA
POWER INLET
- ⑥ PIEDINI ANTIVIBRANTI (FORNITI A PARTE)
VIBRATION DAMPERS (SUPPLIED LOOSE)

PART.-A-



ALLEGATO N°2-3

2	VIBRATION DAMPERS POSITION AND SUPPORTING BASEMENT MODIFIED		
REV. N°	DESCRIPTION		
DESCRIPTION: CONDENSERLESS LIQUID CHILLERS HE 0152/0252		DRAWING N°	REV. N°
		D4512500-1	D4512500-2
DRAWN	DATE 01/12/98	SUBSTITUTES N°	SCALE 1:10
		D4512500-1	
AUDITEN	DATE 01/12/98	SUBSTITUTES BY N°	SHEET 1 OF 1
BY TERM OF LAW THIS DRAWING CANNOT BE REPRODUCED WITHOUT OUR WRITTEN AUTHORIZATION			